

DELUXE **DL** *LIVING*

**LED MIRRORED CABINET
ASSEMBLY INSTRUCTIONS**

PRECAUTIONS

SAFETY INFORMATION

Please read and understand this entire manual before attempting to assemble or install the product.



WARNING

To reduce the risk of burns, fire, electric shock or injury to persons. Do not use attachments not recommended by the manufacturer. Never drop or insert any object into any opening. Do not use outdoors.

Risk of electric shock, connect this product to a properly grounded circuit only.

This product must be connect to a grounded metal, permanent wiring system, or an equipment-grounding conductor must be run with the circuit conductors and connected to the equipment-grounding terminal or lead on the product.

An electrical option cabinet must be wired to a 20Amp GFI protected circuit when used in bathrooms and all other locations required by the National Electric Code

Keep plastic bags and small parts away from children.

Safety glasses should be worn at all times.

Do not load this cabinet with more than 50 lbs.

Do not load each shelf with more than 25 lbs.

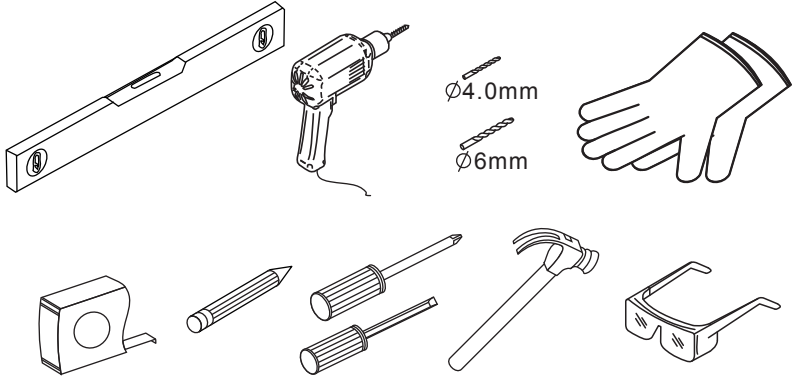
PREPARATION

Before beginning assembly of product, make sure all parts are present. Compare parts with package contents list and hardware contents list. If any part is missing or damaged, do not attempt to assemble the product.

Estimated Assembly Time: 30 minutes (with recommended two-person installation).

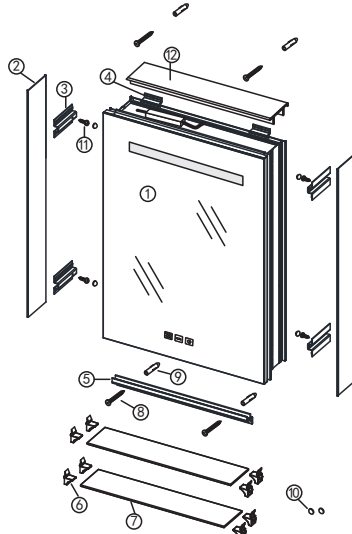
PRECAUTIONS

REQUIRED TOOLS AND MATERIALS

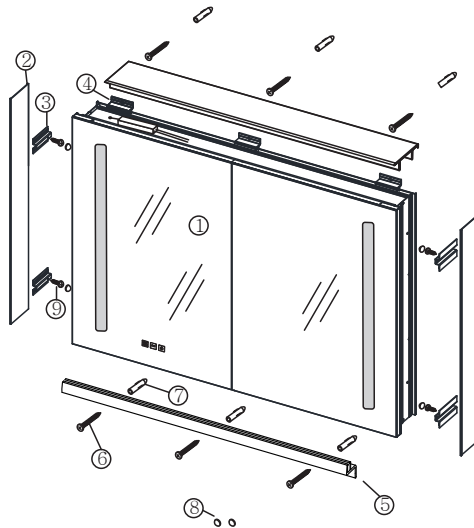


PRECAUTIONS

ASSEMBLY DRAWING



- | | | |
|----------------------------|------------------------|-----------------------------|
| [1] Mirror cabinet 1pc | [2] Side panel 2pcs | [3] Holder 4pcs |
| [4] Upper bracket 3pcs | [5] Bottom bracket 1pc | [6] Shelf board holder 8pcs |
| [7] Glass shelf board 2pcs | [8] ST4*35 screw 6pcs | [9] Wall plus 6pcs |
| [10] Screw cap 6pcs | [11] ST4*8 screw 4pcs | [12] Cover plate 1pc |

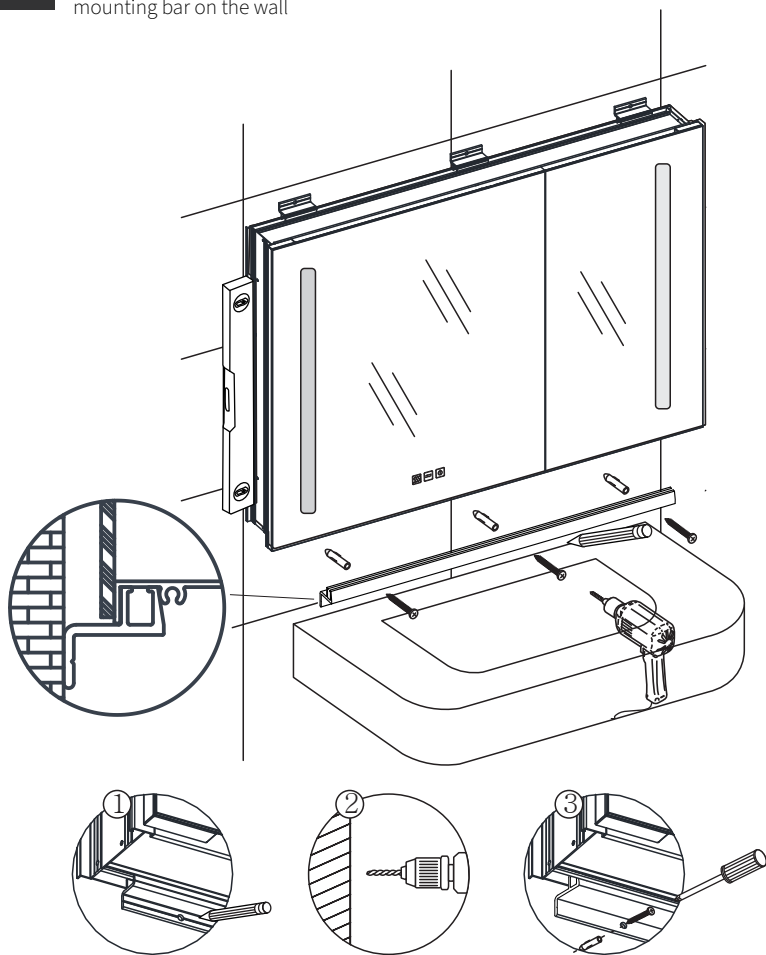


- | | | |
|------------------------|------------------------|-----------------------|
| [1] Mirror cabinet 1pc | [2] Side panel 2pcs | [3] Holder 4pcs |
| [4] Upper bracket 3pcs | [5] Bottom bracket 1pc | [6] ST4*35 screw 6pcs |
| [7] Wall plus 6pcs | [8] Screw cap 6pcs | [9] ST4*8 screw 4pcs |
| [10] Cover plate 1pc | | |

HANGING INSTALLATION

1

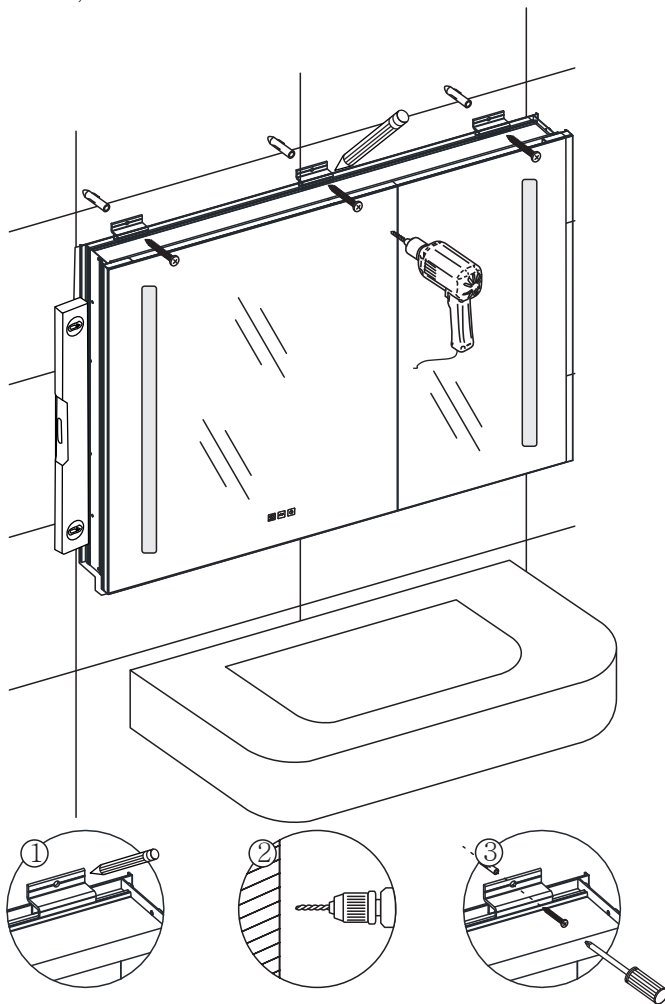
Mark holes based on the desired location, then drill holes and fix mounting bar on the wall



HANGING INSTALLATION

2

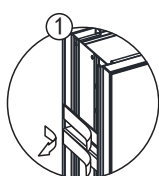
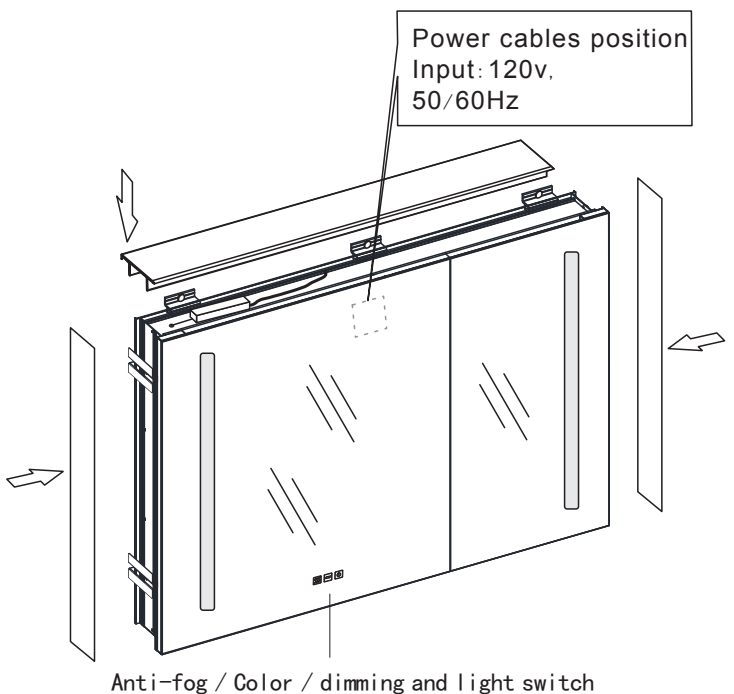
Put the cabinet on the mounting bar, insert the top clips on the top of cabinet, fix it with screw



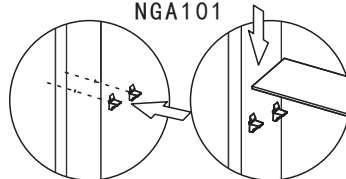
HANGING INSTALLATION

3

Insert side kits as picture ,connect the power wire



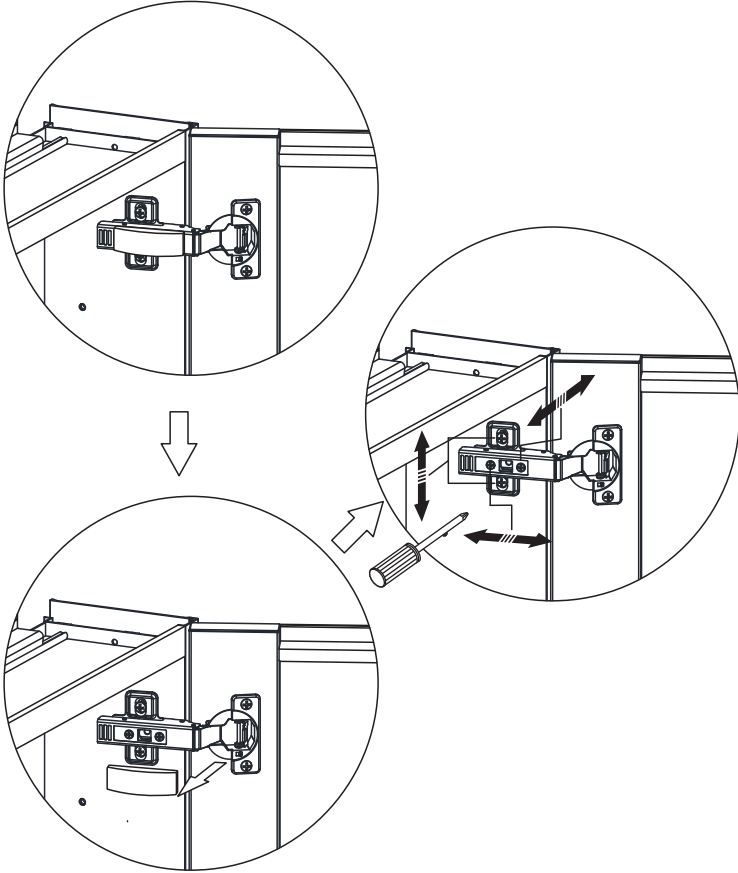
Install glass shelf board
NGA101



HANGING INSTALLATION

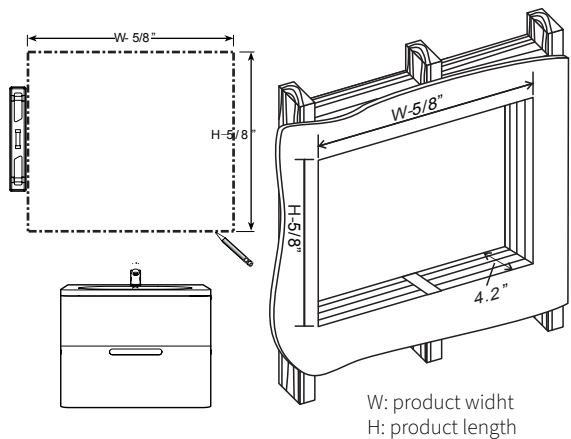
4

Adjust door position accordingly.

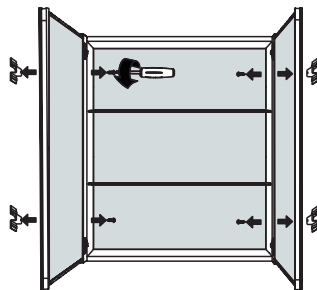


RECESSED MOUNT INSTALLATION

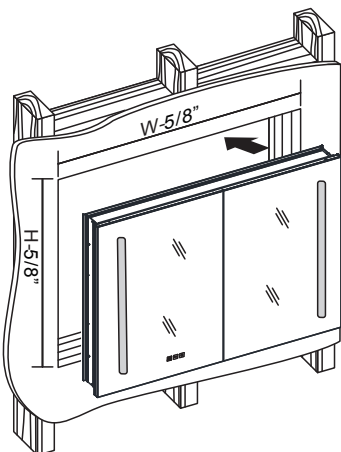
1 Wall slotting



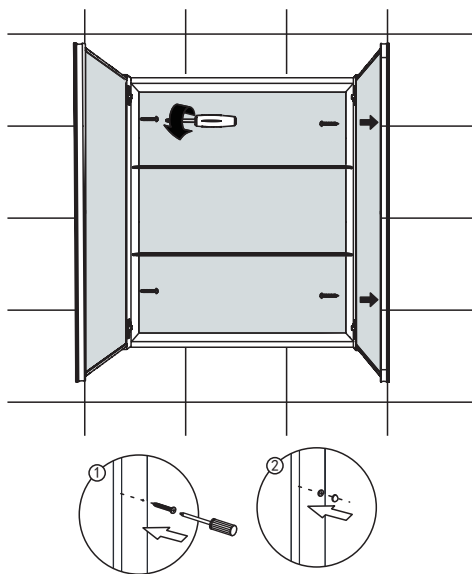
2 Dismantle the bracket



3 Place the mirror cabinet into the wall as shown



4 Screw tight and cover



CARE AND MAINTENANCE

Cleaning and Care

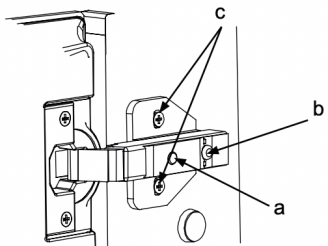
Use of a residential glass cleaner such as Windex, Zep Streak-Free Cleaner or other spray on glass cleaner. Follow the directions on your selected cleaning product, with a liberal application of the cleaning solution. Using a lint free or microfiber cloth and remove the cleaning solution in a gentle circular motion. If the mirror feels “tacky” while cleaning, simply apply more cleaner.

Never clean the mirror with a lint free cloth WITHOUT cleaning solution.

Do not use cleaners which include fragrances, oils, acids, alcohols, bleach, or abrasive particles.

Do not clean with a scouring pad, rough cloth, abrasive paper towel or window scraper.

TROUBLESHOOTING

PROBLEM	POSSIBLE CAUSE	CORRECTIVE ACTION
The doors are not aligned.	The hinges are misaligned.	To adjust the doors right or left, loosen/tighten the screw as in (a). To adjust the doors in or out, loosen/tighten the screw as in (b). To adjust the doors up or down, loosen/tighten the screws as in (c). 

MAINTENANCE

ONE-YEAR LIMITED WARRANTY

Products are warranted to be free of defects in material and workmanship for one year from date of installation.

We will, at its election, repair, replace or make appropriate adjustment any such defects occurring in normal usage within one (1) year after installation. We are not responsible for removal or installation costs.

Questions, problems, missing parts?

If you are missing any part, please stop and contact us immediately.

Contact Email address : sales@deluxelivinghome.com

Or call our customer service department 1-888-680-0215 at 9 a.m.-5 p.m. , Monday - Friday.

Visit Website : <http://www.deluxelivinghome.com> for more details.

*DELUXE **DL** LIVING*