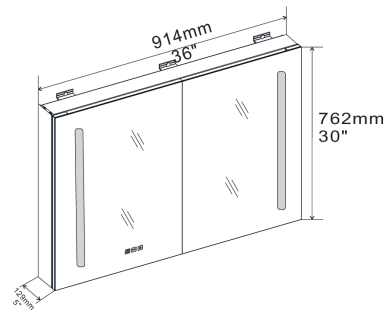


Mirror Cabinet M0002



NGA201 36"*30"*5"



Product name: Mirror Cabinet M0002

Model: M0002

Size: 36"W x 30"H x 5"D

Product Features:

- Material: Aluminum frame
- Tempered glass shelves
- Copper free silver mirror(3mm)
- Soft-close hinges
- Adjustable lighting touch switch
- Adjustable Led color temperature:3000-6000K
- Wall mounted / Recessed installation available